

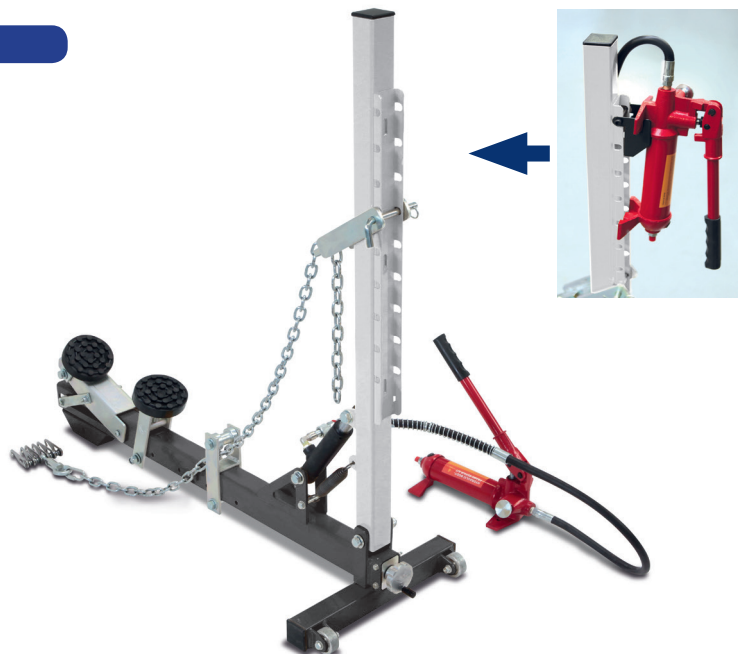
**This car body pulling arm is the ideal complement to dent pulling workstations. Thanks to its powerful hydraulic cylinder, this pulling arm is particularly efficient to straighten impacts on thick and strong metal sheets. Small and lightweight, it can be moved around easily.**

## DENT PULLING OF BIG SHOCKS MADE EASY

- Its hydraulic cylinder offers a **much greater pulling force** than any other manual dent pulling tool.
- The arm and cylinder **minimize the effort** required to straighten. The hydraulic pump is used like any classic hydraulic jack.

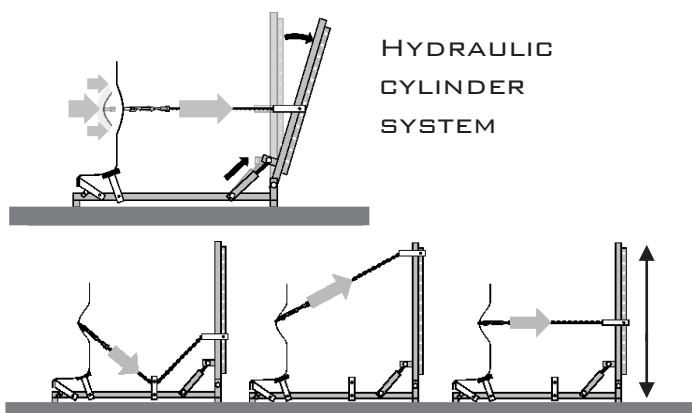
### Complete kit delivered :

- pulling arm,
- hydraulic pump,
- 1 chain with,
- 6 hooks claw,
- 2 round pads.



## LIGHTWEIGHT AND EASY TO USE

- **Small and lightweight**, it can be moved around easily, thanks to 2 wheels.
- The **height and direction** of the pulling is **fully adjustable**, which allows straightening in many different configurations.
- The **straightening of sills** is made easier thanks to its 2 round support pads.



## RELATED CONSUMABLES

Bag of 100 straight rings  
(réf. 050648)



Bag of 50 twisted rings  
(réf. 050631)



m

1.17 x 0.40 x 1.13



kg

41

Material

Steel